



COMMANDO LightningFIBER 1000BASE-LX/LH SFP-SM-1G Data Sheet



Contents

Product Overview

Product Highlights

Features and Benefits

Hardware

Specifications

Support and Warranty

Ordering Information

Document History

Product Overview

COMMANDO LightningFIBER SFP-SM-1G, SFP (Small Form Pluggable) operates at 1310nm is on single mode fiber transceiver based on IEEE 802.3z Ethernet standard and Fiber Channel FC-PI Rev.5.0, providing faster and reliable interface speed of 1Gbps for GE/FC applications. The product implements Digital Diagnostics Monitoring (DDM) via a 2-wire serial bus, compliant with the INF-8074i, Small Form Factor Pluggable Multi-Source Agreement (MSA) and SFF-8472 standard. It is a Single-mode SFP transceiver module for bi-directional serial optical data communications. The transceiver module is designed to operate at long wavelength of 1310nm over single mode fiber for distance up to 20km.

The module is designed to offer multi-vendor compatibility offering users flexibility, scalability without incurring additional overhead and increasing interoperability.

It supports IEEE Std 802.3z Gigabit Ethernet Standard, which extends the operating speed of the local area network to 1Gbps for interconnecting high-performance switches, routers, and servers in the backbone of local area networks. It offers customers a wide variety of Gigabit Ethernet connectivity to multi-vendor equipment like routers, switches, server, NICs of data center, enterprise wiring closet, and service provider transport applications. The transceiver module is ideal for Internet Service Provider (ISP) Gigabit Ethernet communication links, Enterprise LAN & SAN Networks, Data Center LAN & SAN networks, and other optical links. It can be used as an uplink for 1G Ethernet Small Form-Factor Pluggable (SFP) Fiber Network Module for delivering robust performance and Cloud networking needs of growing businesses, data centers and high-end campus networks.

Product Highlights

- Multi-vendor platform compatible
- Supports data transfer rate of 1.25Gbps
- Hot-pluggable SFP to maximize uptime and simplify serviceability
- 1310nm FP laser transmitter
- Duplex LC connector
- Built-in Digital Diagnostic Monitoring functions
- Up to 20km on 9/125 μ m SMF
- Single power supply 3.3V and TTL Logic Interface
- Standard size, Compact casing, and dust proof
- Compliant with SFP MSA
- RoHS Compliant
- Class 1 laser product complies with EN 60825-1
- Applications: 1.25Gbps Gigabit Ethernet, 1.063Gbps Fiber Channel
- Operating temperature range: 0°C to 70°C

Features and Benefits

Multi-vendor Compatibility

The module is designed to offer multi-vendor compatibility offering users flexibility, scalability without incurring additional overhead and increasing interoperability.

1.25 Gbps Speed with Reliable performance

It provides and offers 1G speed. These SFP are well built and rigorously tested and can sustain in very rough environment to provide reliable performance.

Dust proof Enclosure

It has resilient dust proof enclosure protects against harsh outdoor condition with no ingress of dust.

Support uninterrupted critical network infrastructure

It is protected from any hardware failures with Extra Long operational life. With this feature protect on cost and the impact to your business by losing these network devices and thus the users/servers connected to them.

Cost Efficient

State of art quality product that can serve with world's top brand products along with COMMANDO devices on real time high-speed Performance, highly reliable, conformance to international open standards, durable, serviceable, aesthetics, perceived quality, enhanced performance leads to value to money.

Easy to Use

COMMANDO SFP Transceivers are easy to use with simple and hassle-free setup. Its compact and standard size makes it ideal for all top brand devices along with COMMANDO products. Easy Installation, Plug-and-play installation with no configuration required.

Green Technology

It automatically adjusts power consumption according to the link status to limit the carbon footprint of your network. It also complies with RoHS, prohibiting the use of

certain hazardous materials. Moreover, most of the packaging material can be recycled and reused.

Hardware

High Performance

- Low power consumption <1W typically, saving power
- 100us typical latency, MTBF over 1 million hours
- SFP Multi source Agreement (MSA) Compliant
- Input Voltage: 3.1 VDC to 3.5 VDC Maximum / 3.3 V DC Typical.
- Input Current 300 mA Maximum / 200 mA Typical.

Extra Long operational life

- Stainless steel material
- Anti-corrosion and salt spray resistance
- Storage Relative Humidity: 5% to 95%
- Exceptional Performance in Harsh Outdoor Climates with dust proof enclosure ensuring it can withstand harsh outdoor and indoor environments.

Operating temperature range

- Commercial temperature range: 0 to 70°C (32 to 158°F)
- Storage temperature range: -40 to 85°C (-40 to 185°F)

Table 1 COMMANDO SFP Hardware Specifications Comparison

Product Code	Form Factor	Maximum Speed	IEEE Standard Compliance	Connector Type	TX Power (dBm)	Receiver Sensitivity (dBm)
SFP-SM-1G	SFP	1000Mbps	1000BASE-LX/LH	LC duplex	-9.5 ~ -3dBm	< -23dBm
SFP-MM-1G	SFP	1000Mbps	1000BASE-SX	LC duplex	-9.5 ~ -3dBm	< -17dBm
SFP-UTP-1G	GBIC-T, SFP	1000Mbps	1000BASE-T	RJ-45	Standard	<1W
SFP-SR-10G	SFP+	10.3125Gbps	10GBASE-SR	LC Duplex	-7.3~-1dBm	< -11.1dBm
SFP-LR-10G	SFP+	10.3125Gbps	10GBASE-LR	LC Duplex	-8.2~-0.5dBm	<-14.4dBm
SFP-ER-10G	SFP+	10.3125Gbps	10GBASE-ER	LC Duplex	-7.3~-1dBm	< -11.1dBm
SFP-ZR-10G	SFP+	11.3Gbps	10GBASE-ZR	LC Duplex	0~5dBm	<-23dBm
SFP-UTP-10G	10GBASE-T, SFP+	10Gbps	10GBASE-T	Copper CAT 6a/7	Standard	<1W
SFP-SR-25G	SFP28	25.78Gbps	25GBASE-SR	LC Duplex	-9.40 --3.40	-10.3dBm
SFP-LR-25G	SFP28	26.5Gbps	25GBASE-LR	LC Duplex	-7.97--2.8	14.4/-13.3dBm
QSFP-SR4-40G	QSFP+	41.2Gbps	40GBASE-SR4	MTP/MPO-12 Male	-7.6~1dBm	<-11.1dBm
QSFP-LR4-40G	QSFP+	44.6Gbps	40GBASE-LR4	LC duplex	-7~2.3dBm	<-11.5dBm
QSFP-SR4-100G	QSFP28	103.1 Gbps	100GBASE-SR4	MTP/MPO-12	-8.4~2.4dBm	<-10.3dBm
QSFP-LR4-100G	QSFP28	103.125Gbps	100GBASE-LR4	LC duplex	-4.3~4.5dBm	<-10.6dBm

Specifications

COMMANDO SFP-SM-1G SFP is used for speed 1 Gigabit Ethernet fiber speed, and It is a compact, hot-swappable device that plugs into a physical port of a network device. SFP optics are used in communication networks and have a transmitting side (Tx) and a receiving side (Rx) work with 1310nm wavelengths up to 20Km distance.

Table 2. COMMANDO SFP Model Comparison

Product Code	Center Wavelength (nm)	Media Type	Max Transmission Distance	Digital Diagnostics Monitoring Supported
SFP-SM-1G	GBIC-LX/LH, 1310nm	MMF/SMF	550m/20km	DDM
SFP-MM-1G	GBIC-SX, 850nm	MMF	550m	DDM
SFP-UTP-1G	GBIC-T, RJ-45	Copper	100m	Standard
SFP-SR-10G	10GBASE-SR, 850nm	MMF	300m	DDM
SFP-LR-10G	10GBASE-LR, 1310nm	SMF	20km	DDM
SFP-ER-10G	10GBASE-ER, 1550nm	SMF	40km	DDM
SFP-ZR-10G	10GBASE-ZR/ZW, 1550nm	SMF	80km	DDM
SFP-UTP-10G	10GBASE-T RJ-45	Copper CAT 6a/7	80m	Standard
SFP-SR-25G	25GBASE-SR, 850nm	MMF	70/100m	DDM
SFP-LR-25G	10GBASE-LR/25GBASE-LR, 1310nm	SMF	10km	DDM

QSFP-SR4-40G	40GBASE-SR4, 850nm	MMF	100m	DDM
QSFP-LR4-40G	40GBASE-LR4, 1310nm	SMF	10km	DDM
QSFP-SR4-100G	100GBASE-SR4, 850nm	MTP/MPO-12, MMF	100m	DDM
QSFP-LR4-100G	100GBASE-LR4, 1310nm	LC Duplex, SMF	10km	DDM

General Specifications

Parameter	Symbol	Min	Type	Max	Unit	Remarks
	DR	-	1.25	-	Gb/s	1
	DR	-	1.062	-	Gb/s	2
Bit Error Rate	BER	-	-	10 ⁻¹²	-	-
Operating Temperature	T _C	0	-	70	°C	3
Storage Temperature	T _{STO}	-40	-	85	°C	4
Supply Current	I _{CC}	-	175	300	mA	5
Input Voltage	V _{CC}	3.14	3.3	3.46	V	-
Maximum Voltage	V _{MAX}	-0.5	-	4	V	5

Notes:

1. IEEE 802.3z
2. FC-P1-2 Rev 5
3. Case temperature
4. Ambient temperature
5. For electrical power interface

Optical – Characteristics – Transmitter

$V_{CC}=3.14V$ to $3.46V$, $T_C=0^{\circ}C$ to $70^{\circ}C$

Parameter	Symbol	Min	Typ	Max	Unit	Remarks
Output Optical Power	P _{TX}	-9.5	-	- 3	dBm	1
Optical Center Wavelength	λ_c	1270	-	1355	nm	-
Optical Modulation Amplitude	OMA	174	-	-	μW	2
Extinction Ratio	ER	9	-	-	dB	-
Spectral Width (RMS)	$\Delta\lambda$	-	-	3	nm	-
Optical Rise/Fall Time (20%-80%)	t_r/t_f	-	150	260	ps	-
Relative Intensity Noise	RIN	-	-	-120	dB/ Hz	-
Deterministic Jitter Contribution	DJ	-	20	60	ps	-
Total Jitter Contribution	TJ	-	50	120	ps	-

Notes:

1. Class 1 Product
2. Equivalent extinction ratio specification for FC

Optical – Characteristics – Receiver

$V_{CC}=3.14V$ to $3.46V$, $T_C=0^{\circ}C$ to $70^{\circ}C$

Parameter	Symbol	Min	Typ	Max	Unit	Remarks
Receiver Overload	POL	0	-	-	dBm	-
Optical Center Wavelength	λ_c	1260	-	1600	nm	-
Receiver Sensitivity	R _X	-	-	-24	dBm	-

	SEN					
Optical Return Loss	ORL	12	-	-	dB	-
Receiver Electrical 3dB Upper cutoff frequency	-	-	-	1500	MHz	-
LOS Assert	LOS _A	-35	-	-	dBm	-
LOS De-Assert	LOS _D	-	-	-27	dBm	-
LOS Hysteresis	LOS _H	0.5	-	-	dB	-

Electrical – Characteristics – Transmitter

$V_{CC}=3.14V$ to $3.46V$, $T_C=0^{\circ}C$ to $70^{\circ}C$

Parameter	Symbol	Min	Typ	Max	Unit	Remarks
Input differential impedance	R _{IN}	-	100	-	Ω	-
Single ended data input swing	V _{IN PP}	250	-	1200	mV	-
Transmit disable voltage	V _D	V _{CC} -1.3	-	V _{CC}	V	-
Transmit enable voltage	V _{EN}	V _{EE}	-	V _{EE} +0.8	V	-
Transmit disable assert time	-	-	-	10	μs	-

Electrical – Characteristics – Receiver

$V_{CC}=3.14V$ to $3.46V$, $T_C=0^{\circ}C$ to $70^{\circ}C$

Parameter	Symbol	Min	Typ	Max	Unit	Remarks
Single ended data output swing	V _{OUT PP}	300	400	800	mV	-
Data output rise/fall time(20%-80%)	t _r /t _f	-	-	300	ps	-
LOS Fault	V _{LOS A}	V _{CC} -0.5	-	V _{CC}	V	-

				HOST		
LOS Normal	VLOS D	VEE	-	$V_{EE}+0.5$	V	-

Digital Diagnostic Monitoring (DDM) Functions

COMMANDO SFP-SM-1G supports 2-wire serial communication protocol as defined in SFP MSA. Digital diagnostic information is accessible over the 2-wire interface at address 0xA2. Digital diagnostics for SFP-SM-1G are internally calibrated by default. The internal micro control unit accesses the device's operating parameters such as transceiver temperature, laser bias current, transmitted optical power, received optical power and transceiver supply voltage in real time. The module implements the alarm function of the SFP MSA, alerts the user when a particular operating parameter exceeds the factory-set normal range.

DDM Threshold Information

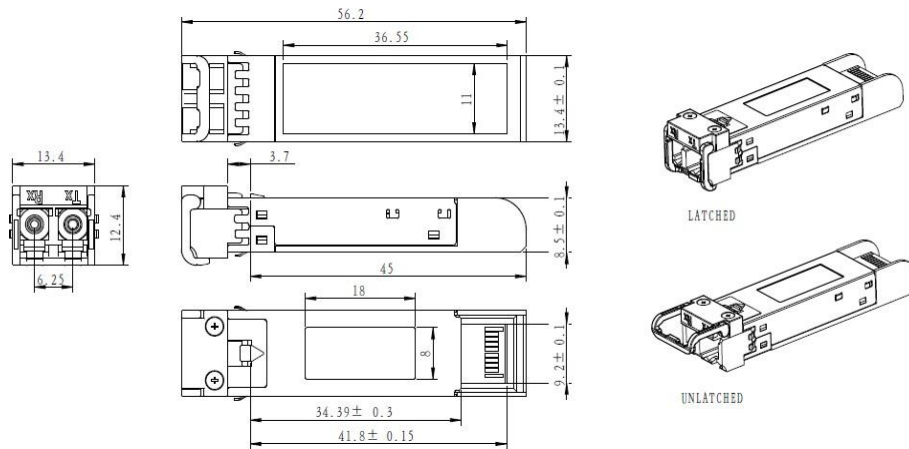
Parameter		Alarm Threshold		Warning Threshold	
		High Value	Low Value	High Value	Low Value
	C	90 (5A 00)	-45 (D3 00)	85 (55 00)	-40 (D8 00)
	E	90 (5A 00)	-45 (D3 00)	85 (55 00)	-40 (D8 00)
	I	90 (5A 00)	-45 (D3 00)	85 (55 00)	-40 (D8 00)
Vcc (V)		3.63(8D CC)	2.97 (74 04)	3.46 (87 28)	3.13 (7A 44)
Bias (mA)		15 (1D 4C)	1 (01 F4)	12 (17 70)	2 (03 E8)
TxPower (dBm)		-2.71 (14 F0)	-9.97 (03 EF)	-3.50 (11 72)	-9.00 (04 EA)
RxPower (dBm)		3.01 (4E 20)	-26.02 (00 19)	0.00 (27 10)	-23.01 (00 32)

Product Weight

Net weight of module: 15.7g /pc

Net weight of dust cap: 0.95g /pc

Dimensions



All dimensions are ± 0.2 mm unless specified otherwise
Unit: mm

Included in the bundle/box

All COMMANDO SFP-SM-1G, SFP Transceivers are made available for use globally along with accessory used to facilitate or enhance operations. All COMMANDO SFP-SM-1G, SFP Transceivers Comes with following Accessories.

1x (COMMANDO 1G SFP Transceiver) SFP-SM-1G

Support and Warranty

- Same-day assistance.
- Comprehensive 24-hour support using common communication/chat platforms, Email and Telephone.
- Provide FAQs and troubleshooting help online (self-service) through cloud-based solutions.
- Highly technical and trained representatives to resolve issues.
- One-year default warranty with option of warranty extension up to 3 years

Table 3. Support and Warranty

Warranty and Support	
Products covered	COMMANDO LightningFIBER 1000BASE-LX/LH, SFP, 1310nm, 20km, SMF, DDM (SFP-SM-1G)
Warranty duration	One Year RTB (Return To Base) replacement warranty – optionally extendable up to 3 years.
Hardware replacement	COMMANDO, its resellers, or its service center will use commercially reasonable efforts to replace the product subject to stock availability. Otherwise, a replacement will be arranged within 15 working days after receipt of the Return Materials Authorization (RMA) request.
End-of-life policy	In case of discontinuation of the product, support is limited to 3 years from announcement date.
Effective date	Hardware warranty commences from the date of shipment to customer (and in case of resale by a COMMANDO reseller, not more than 90 days after original shipment by COMMANDO).
Support duration	Lifetime support.
COMMANDO Care	COMMANDO will provide 24x7 support for basic configuration, diagnosis, and troubleshooting of device-level problems for up to one year from the date of shipment of the originally purchased product. This support does not include solution or network-level support beyond the specific device under consideration.
Online Portal Access	Warranty allows guest access to commandonetworks.com for all available technical queries.

Ordering Information

Ordering information for the COMMANDO SFP Transceivers, to place an order, please contact your local reseller/distributor or COMMANDO Sales Representative at

www.commandonetworks.com/rfq

Table 4. Ordering Information

Product Code	Description
SFP-SM-1G	COMMANDO LightningFIBER 1000BASE-LX/LH, SFP, 1310nm, 20km, SMF, DDM
SFP-MM-1G	COMMANDO LightningFIBER 1000BASE-SX, SFP, 850nm, 550m, MMF, DDM
SFP-UTP-1G	COMMANDO LightningCOPPER 1000BASE-T SFP, Copper, RJ-45, 100m, Standard
SFP-SR-10G	COMMANDO LightningFIBER 10GBASE-SR, SFP+, 850nm, 300m, MMF, DDM
SFP-LR-10G	COMMANDO LightningFIBER 10GBASE-LR, SFP+, 1310nm, 20km, SMF, DDM
SFP-ER-10G	COMMANDO LightningFIBER 10GBASE-ER, SFP+, 1550nm, 40km, SMF, DDM
SFP-ZR-10G	COMMANDO LightningFIBER 10GBASE-ZR/ZW, SFP+, 1550nm, 80km, SMF, DDM
SFP-UTP-10G	COMMANDO LightningCOPPER 10GBASE-T Copper RJ-45, SFP+, Up to 80m, CAT 6a/7
SFP-SR-25G	COMMANDO LightningFIBER 25GBASE-SR, SFP28, 850nm, 70/100m, OM3/4 MMF, DDM, Multi-vendor Compatible
SFP-LR-25G	COMMANDO LightningFIBER 10/25GBASE-LR, SFP28, 1310nm, 10km, SMF, DDM, Multi-vendor Compatible
QSFP-SR4-40G	COMMANDO LightningFIBER 40GBASE-SR4, QSFP+, 850nm, 100m, MMF, DDM
QSFP-LR4-40G	COMMANDO LightningFIBER 40GBASE-LR4, QSFP+, 1310nm, 10km, SMF, DDM
QSFP-SR4-100G	COMMANDO LightningFIBER 100GBASE-SR4, QSFP28+, 850nm, 100m, MTP/MPO-12, MMF, DDM
QSFP-LR4-100G	COMMANDO LightningFIBER 100GBASE-LR4, QSFP28+, 1310nm, 10km, SMF, DDM

Document History

Release	What's new	Date
Release 1	First Release	March 24, 2021
Release 2	Multi-brand compatible model launch	November 9, 2022
Release 3	Model adjustment	September 18, 2023
Release 4	25G Model added	October 13, 2023